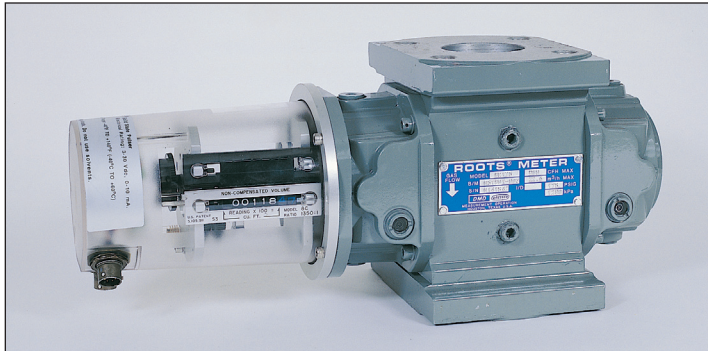


ROOTS[®] Solid State Pulser



Shown: ROOTS[®] Meter Series B3 with Pulser

The ROOTS[®] Solid State Pulser+ generates low frequency pulses which represent volumetric information necessary for remote data collection units. Solid state construction eliminates mechanical switches and ensures maximum reliability. No battery and no maintenance are required.

The dual connector option allows one connector to be used with your AMR system and a separate connector for your customer. These pulsers are available for our Series B3 (Life-Lubed™) meters and Series AI (LM-MA) meters.

Features

- Bounceless Switch
- Internal Mounting
- No Battery
- No Moving Parts
- Reliable Wiegand Technology
- Rugged, Weatherproof Housing
- Corrected & Uncorrected Outputs
- Universal Interface

Specifications

Loop Voltage	3-30 VDC
Maximum Loop Current	10 mA
Contact Bounce	0 msec
Min. Pulse Width	50 msec or 50% of Duty Cycle (whichever is smaller)
Switch Closed	R < 10 OHMS
Switch Opened	R > 1 MEGA OHM
Temperature Range	-40°F to +140°F -40°C to +60°C
Humidity	95% non-condensing
Output*	Form C
Series 3 & I TC (Temp. Comp.) Version	Non-compensated and Compensated Pulse
Counter (CTR) Version	Non-compensated Pulse
Outputs	Single or Dual Connectors (MS Circular, Conduit, or Cable Gland)

+ U.S. Patent Number; 5,530,298

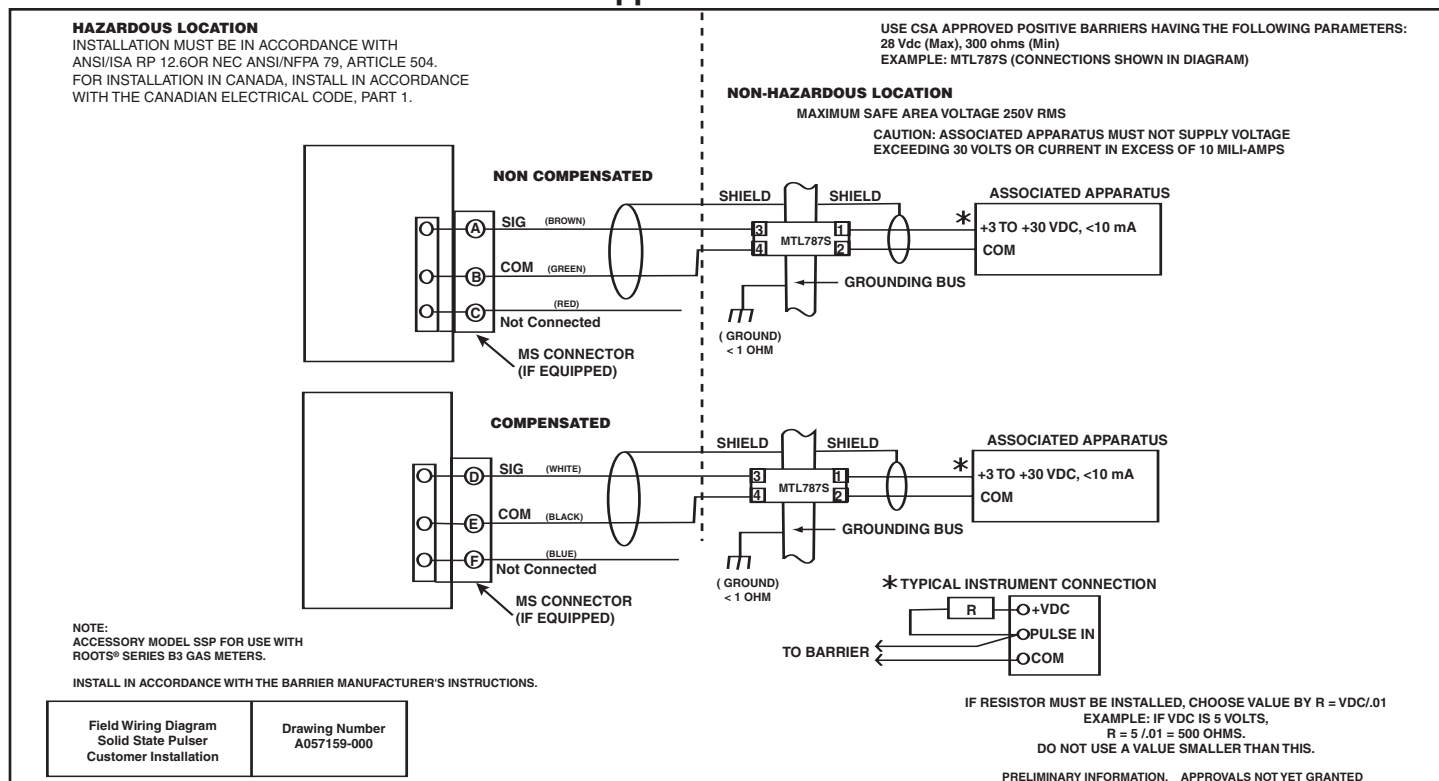
* Form A wiring acceptable. A two-wire Form B will not function properly.

Note: Solid State Pulser can be purchased in a conversion kit or factory installed on a ROOTS[®] Meter.

Version	Type	# Connectors	P/N Amph. Conn. #399 Kit	P/N Conduit Conn. #399 Kit	Meter Size	Pulse Rate (English)	Pulse Rate (Metric)	Non-Comp. Pulse Wiring	Comp. Pulse Wiring
Series B3 (Life-Lubed)	Counter	Single	057128-060	057128-130	8C-3M	10 cf	0.1 m3	ABC	
	Counter	Single	057128-060	057128-130	5M-11M	10 cf	1.0 m3	ABC	
	Counter	Single	057128-060	057128-130	16M-38M	100 cf	1.0 m3	ABC	
	Counter	Single	057128-060	057128-130	56M	100 cf	10.0 m3	ABC	
	Counter	Dual	057128-070	057128-130	8C-3M	10 cf	0.1 m3	ABC	
	Counter	Dual	057128-070	057128-130	5M-11M	10 cf	1.0 m3	ABC	
	Counter	Dual	057128-070	057128-130	16M-38M	100 cf	1.0 m3	ABC	
	Counter	Dual	057128-070	057128-130	56M	100 cf	10.0 m3	ABC	
	TC	Single	057128-310	057128-260	8C-3M	10 cf	.1 m3	ABC	DEF
	TC	Single	057128-310	057128-260	5M-11M	10 cf	1.0 m3	ABC	DEF
	TC	Single	057128-310	057128-260	16M	100 cf	1.0 m3	ABC	DEF
	TC	Dual	057128-320	057128-260	8C-3M	10 cf	.1 m3	ABC	DEF
	TC	Dual	057128-320	057128-260	5M-11M	10 cf	1.0 m3	ABC	DEF
	TC	Dual	057128-320	057128-260	16M	100 cf	1.0 m3	ABC	DEF
LM-MA	Counter	Single	052901-001	052901-101	1.5M-5M	10cf	0.1m3	ABC	
	Counter	Single	052901-003	052901-103	7M-11M	10cf	1.0m3	ABC	
	Counter	Single	052901-003	052901-103	16M	100cf	1.0m3	ABC	
	Counter	Dual	052901-002	052901-102	1.5M-5M	10cf	0.1m3	ABC	
	Counter	Dual	052901-004	052901-104	7M-11M	10cf	1.0m3	ABC	
	Counter	Dual	052901-004	052901-104	16M	100cf	1.0m3	ABC	
	TC	Single	052902-001	052902-101	1.5M-5M	10cf		ABC	DEF
	TC	Single	052902-003	052902-103	7M-11M	10cf		ABC	DEF
	TC	Single	052902-003	052902-103	16M	100cf		ABC	DEF
	TC	Dual	052902-002	052902-102	1.5M-5M	10cf		ABC	DEF
	TC	Dual	052902-004	052902-104	7M-11M	10cf		ABC	DEF
	TC	Dual	052902-004	052902-104	16M	100cf		ABC	DEF
FM (Foot Mount)	Counter	Single	052901-005	052901-105	23M-38M	100cf	1.0m3	ABC	
	Counter	Single	052901-005	052901-105	56M-102M	100cf	10.0m3	ABC	
	Counter	Dual	052901-006	052901-106	23M-102M	100cf	1.0m3	ABC	
	Counter	Dual	052901-006	052901-106	56M-102M	100cf	10.0m3	ABC	

Note: For Series 3 Pulser-Ready Accessory Units, a credit may be applied for deduction of magnets from SSP #399 Kits.

Application Guide



Dresser Roots Meters & Instruments

P. O. Box 42176
 Houston, TX USA 77242-2176
 website: www.dresser.com

Dresser, Inc.

Inside US Ph: 800.521.1114 Fax: 800.335.5224
 Outside US Ph: 832.590.2303 Fax: 832.590.2494
 www.rootsmeters.com